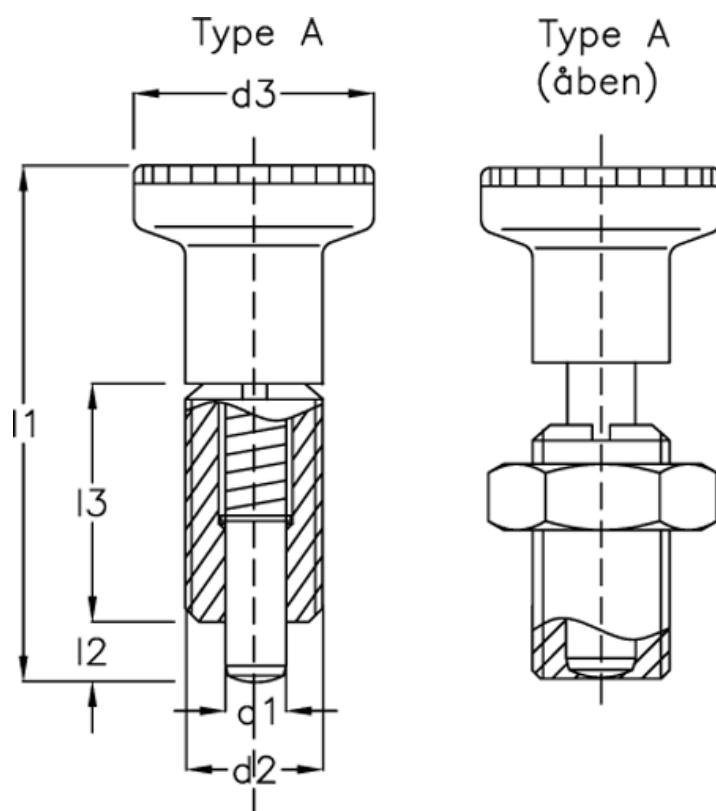


Article number: 208900011

Description: E+G indexing plunger
GN 613-5-A-NI, nickel plated plunger

Measures



d1	= 5
d2	= M10x1
d3	= 21
l1	= 45.0
l2	= 5
l3	= 22
Screwdriver	= GN613.1-5
Spring pressure N bottom	= 15

Spring pressure N top = 6